



Date:
Customer:
City:
Contact:
Phone:
Fax:
P.O. #
Request For: Quote Order
Unit Name:
Notes:

Metal Finish

- Antique
- Brushed Nickel
- Chrome
- Gold
- Oil Rubbed Bronze
- Roman Bronze
- Satin
- White

Glass Thickness

- 5/32"
- 3/16"
- 1/4"
- 3/8"

Glass Type

- Clear
- Obscure (P5)
- Rain
- Aquatex
- Autumn
- Bamboo
- Bronze
- Everglade
- Glacier
- Glue Chip
- Reeded
- Satin
- Starphire
- Smoke

Shower type

- Framed
- Semi-Frameless
- Frameless
- U-Channels
- Clips

Bypass Unit

- Shower Head Left
- Shower Head Right

Swing Door Unit

- Door Hinge Left
- Door Hinge Right
- Back to Back C-Pull

Glass Coating

- None
- Cardinal 10
- Cardinal Armor

KD (No Glass)

FOR CARDINAL USE ONLY: Quote# _____
Quote \$ _____
Route _____

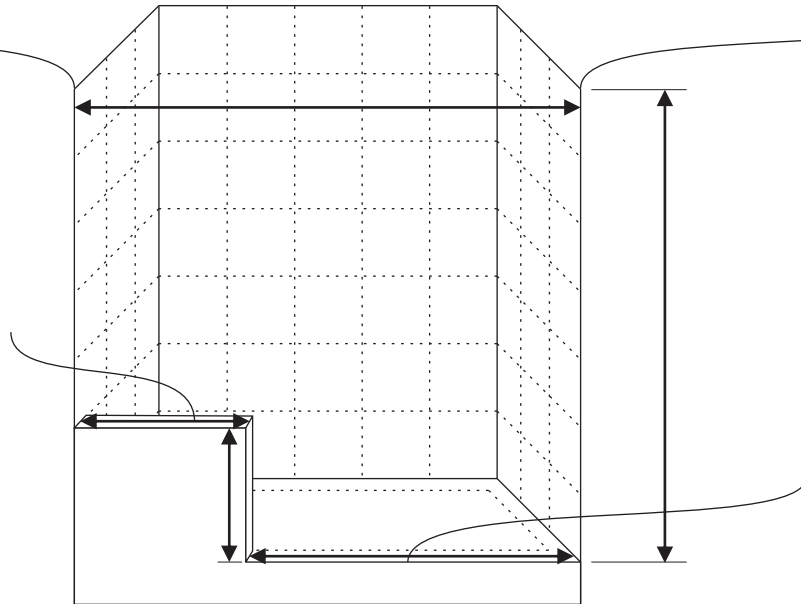
All measurements are assumed to be **CENTERLINE** unless you check this box Measurements are **OUTSIDE**

Wall Leans

IN
OUT

Wall Leans

IN
OUT



FOR SWING DOORS
DOOR WIDTH

SELECT UNIT TYPE

