

Cardinal
SHOWER ENCLOSURES



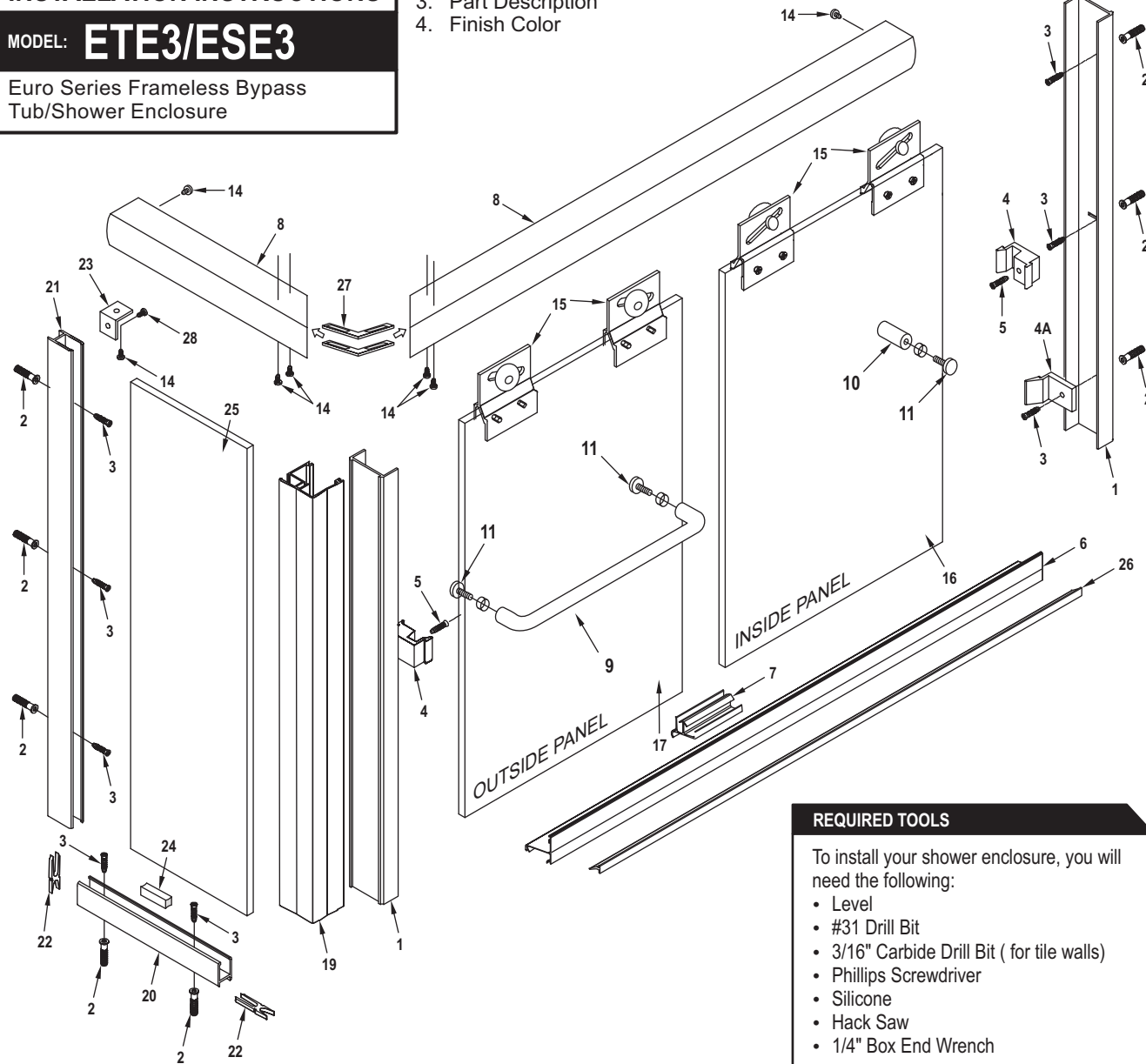
INSTALLATION INSTRUCTIONS

MODEL: **ETE3/ESE3**

Euro Series Frameless Bypass
Tub/Shower Enclosure

When ordering repair parts, please provide the following information:

1. Model Number
2. Part Number
3. Part Description
4. Finish Color



REQUIRED TOOLS

To install your shower enclosure, you will need the following:

- Level
- #31 Drill Bit
- 3/16" Carbide Drill Bit (for tile walls)
- Phillips Screwdriver
- Silicone
- Hack Saw
- 1/4" Box End Wrench

DESCRIPTION	QTY	PART NO.	PICTURE
1. Wall Jamba	2	ZTE-1203	
2. Wall Anchors	8	ZV-935	
3. #8x 1-1/4" screws	8	#8X1-1/4"	
4. Door Bumpers	2	ZV-934	
4A. Bottom Bumpers	1	ZV-926	
5. 6-32 x 1/2" Screw	2	6-32X1/2	
6. Bottom Still	1	ZTE-1222	
7. Center Guide - 3"	1	ZV-920	
8. Header	2	ZTE-1601	
9. Tubular Towel Bar	1	CHG-TB	
10. Tubular Inside Pull	1	CHG-KSM	
11. Towel Bar/Pull Fastener	3	ZTE-2205	
12. 3/4" Nylon Towel Bar Washer	6	Washer	
13. 1/4" Nylon Towel Bar Sleeve	3	Sleeve	
14. #6 x 3/8" Screw	7	#6X3/8	
15. Roller bracket Assembly	4	ZTE-1209	
16. Inside Glass Panel (1 hole)	1		
17. Outside Glass Panel (2 holes)	1		
18. Door Guide Vinyl with ZTE-1222	1	ZV-918	
19. 90 Degree Post	2	ZTE-1218	
20. Curb Channel	1	ZD-1006	
21. Wall Channel	1	ZD-1006	
22. Post to Curb Key	2	ZC-180	
23. Post to Header Clip	1	ZD-90	
24. Glass Support Block	1	ZV-902	
25. 90 Degree Glass Panel			
26. Vertical Seal Vinyl	6	ZV-909	
27. 90 Degree Header Clip	2	ZA-90	
28. #6 x 1/4" Screw	1	#6 x 1/4"	

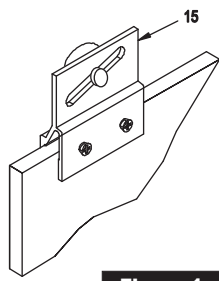


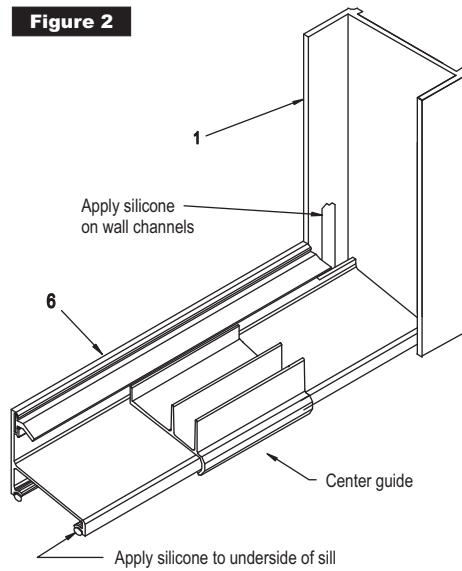
Figure 1

NOTE: Apply a bead of silicone (GE 1200) into the open channel of roller bracket before attaching to glass. To assemble roller bracket (15) to glass, tighten screws until surface of roller bracket is depressed 1/32" (28 inch pounds of torque). Allow to cure for 24 hours before hanging sliders.

- Using a straight edge, draw a line down the center of the tub rim or pan curb. (The lines should cross in the center of the front corner).
- Set jamb (1) in place on wall, centering bottom of jamb on rim of tub. Hold plumb and mark for screw holes.
- Remove jamb (1) and drill 3/16" holes and insert plastic screw anchors (2).
- Silicone where wall meets the rim of the tub to seal bottom corner of jamb. Set jamb (1) in place and secure with #8 x 1 1/4" screws (3). Secure bottom bumper (4a) on shower head side with bottom jamb screw.

- Measure, on end panel side, from back wall to center of front corner where lines cross. Deduct 3/4" from this measurement and cut curb channel (20) to length. Run a bead of silicone on underside of curb channel and set curb channel in place on center of curb, (weep holes to inside). Slide post to curb key (22) onto curb channel (20) and move to the wall. Vertical wall channel will key over exposed end.
- Set wall channel (21) on curb channel (20), hold plumb and mark the wall for the screw hole locations. Remove wall channel, drill holes into the wall and insert plastic anchors. Fill curb channel with silicone where curb channel meets wall. Set wall channel in place and secure with #8 x 1-1/4" screws (3). Secure header clip (23) to top inside leg of wall channel with #6 x 1/4" screw (28).

Figure 2

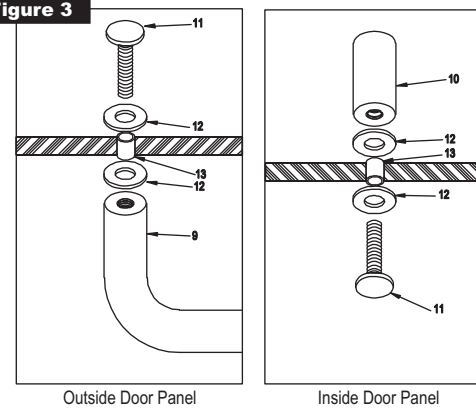


- Place glass support block (24) in the center of curb channel. Set panel (25) into place in curb channel and into wall channel. Using the vertical seal vinyl (26) into wall channel on both sides of the panel.
- Insert clip (22) into curb channel and apply a layer of silicone to curb where 90 degree post will set. Set corner post (19) in place over edge of panel glass and curb clip, hold plumb and insert vertical seal vinyl (26) into post and curb on channel on both sides of panel glass.

- Measure from inside of wall jamb to inside of 90 degree post and use this measurement to cut sill (6) to length. Run a bead of silicone full length to underside of sill and apply silicone in corners where wall jamb and corner post meet curb and press guide firmly into place on curb (See Figure 2).
- Assemble header (8) using 90 degree clips (23) and #6 x 3/8" SMS (14). Measure from both walls to outside corner of corner post (plumb in both directions) and add 3/8" to this measurement for header length. Cut header to length and set in place over jamb (1), corner post (19) and wall channel (21). Secure header to jamb and corner post from INSIDE of shower and to clip (23) attached to wall channel with #6 x 3/8" SMS (23).

- To set slider glass in place, hold inside slider panel (16) inside of tub or shower pan, insert rollers up into header and lower into place. The inside slider glass has only one hole for the inside pull handle (10) and will close against the wall jamb on the shower head side. Next, insert lower end of outside slider (17) in front of inside slider by pushing lower ends far enough in, to allow clearance on inside edge of tub or pan. Avoid roller bracket to roller bracket contact while lifting panel into place. The outside

Figure 3



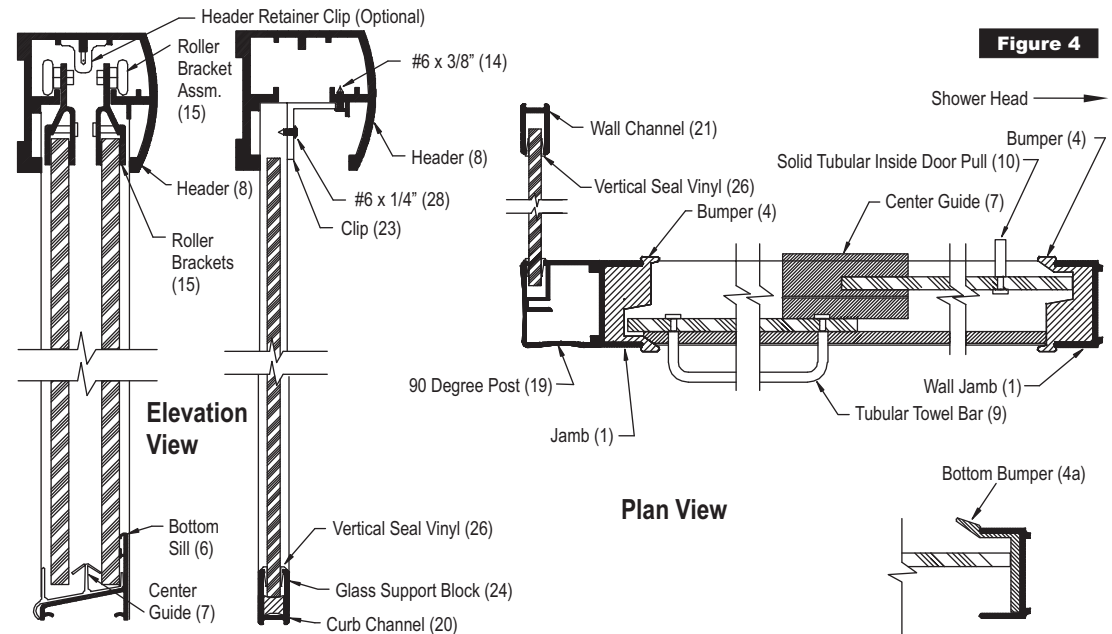
glass by using the slotted hole in the jamb.

- Install bumpers (4) to the jambs and corner post with 6-32 x 1/2" screw (5). Note: Glass panels close into the recessed portion of bumpers (4). The recess is toward the inside of the tub on the shower head jamb and toward the outside on the corner post.

- To install towel bar (9), place nylon towel bar insert sleeves (13) into holes in the glass (17). Next hold the tubular towel bar (9) against the hole in the glass with the nylon towel bar/pull washer (12) between the glass and the towel bar. Place a nylon towel bar/pull washer on the towel bar/pull screw (11) and secure towel bar in place on both ends. Install the pull the same way the towel bar was installed. Use hole in fastener to tighten (See Figure 3).

- Silicone inside of shower where jambs meet walls and sill meets rim of tub.

Figure 4



Plan View