



OWNER'S MANUAL

QUIK-FIT

NEO-ANGLE SHOWER ENCLOSURE

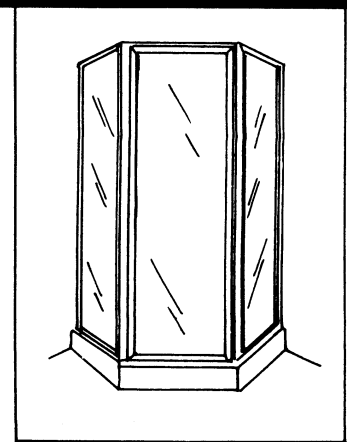
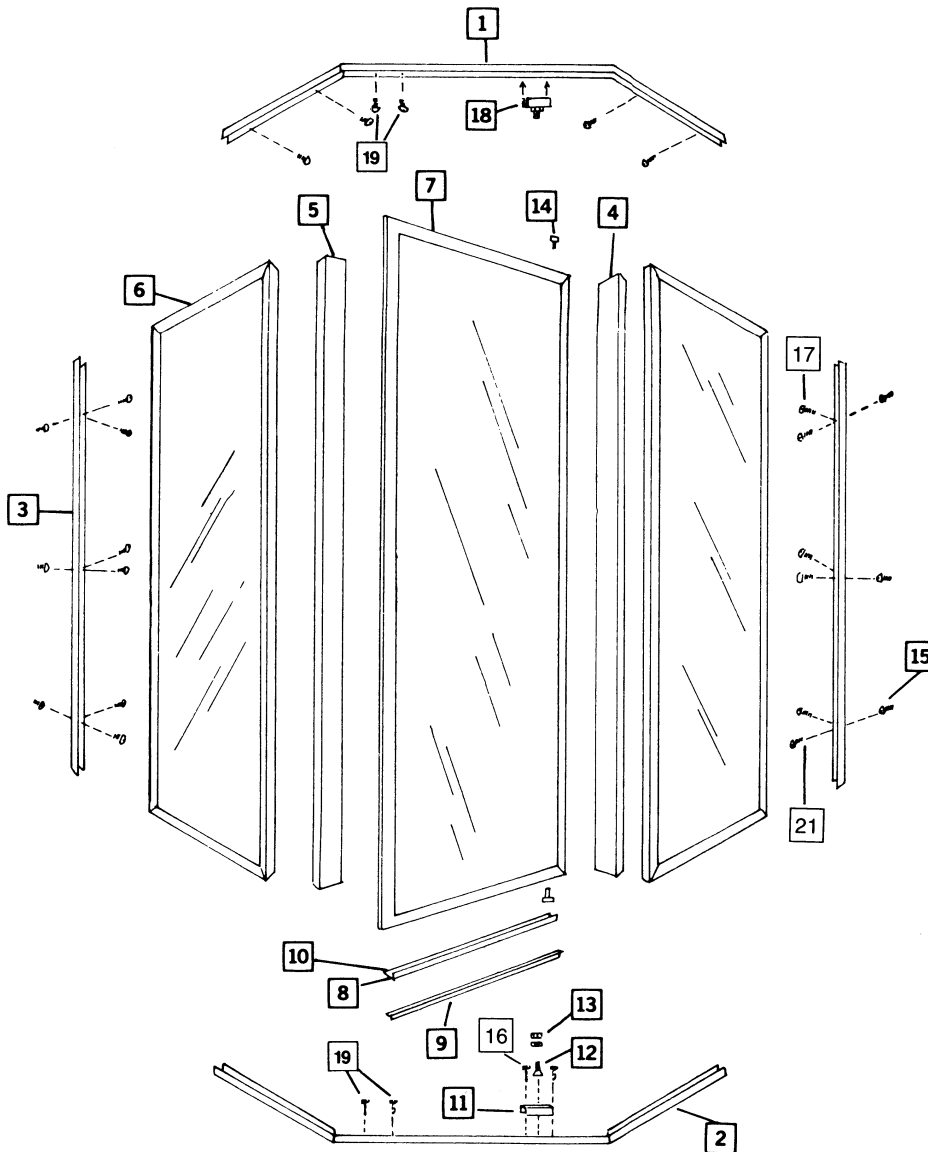
(PIVOT DOOR)

IMPORTANT: Record the Model No. (see carton) of your shower enclosure for future reference. Model No. _____

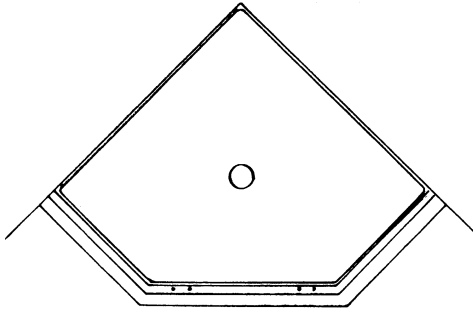
READ THE INSTRUCTIONS CAREFULLY, familiarize yourself with all the parts as shown in the exploded view. The exploded view will also provide a helpful reference when relating the location of the various parts and how they are mounted.

TOOLS AND MATERIALS NEEDED:

Tape Measure, Electric Drill, Level, Phillips Screwdriver, Drill Bits ($\frac{3}{16}$ " and $\frac{9}{64}$ "), Clear Silicone Caulk.

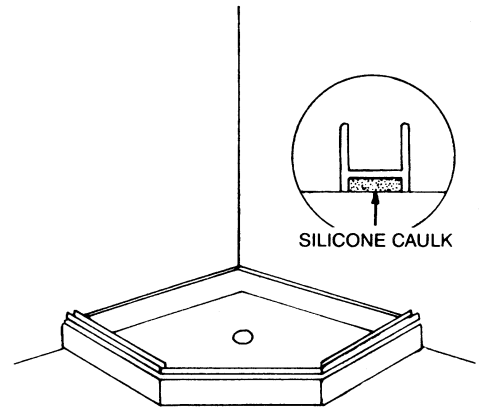


1



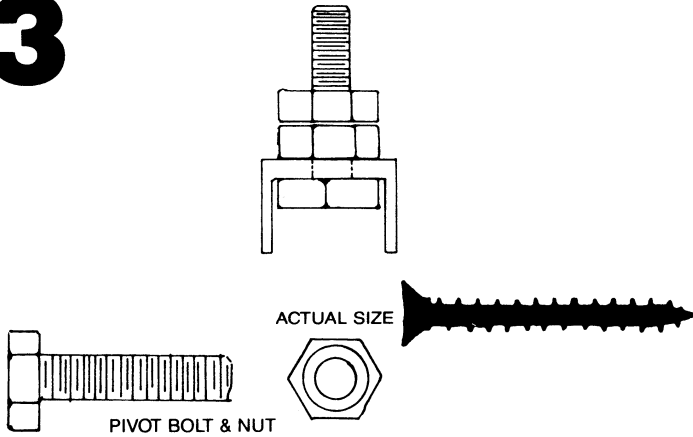
Position the bottom frame on the curb of the neo-angle base so that each end of the frame is touching a side wall (bottom frame has only one leg on center section).

2



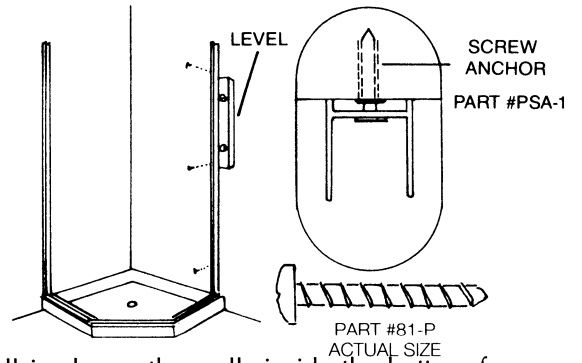
Determine which side you prefer the door to pivot off of and mark the location of that pair of holes onto base. Remove bottom frame and drill with 9/64" drill bit. Apply silicone caulk underneath the bottom frame and reposition on the base. Apply caulk to top channel of bottom frame 1/2" in from walls where wall jambs meet.

3



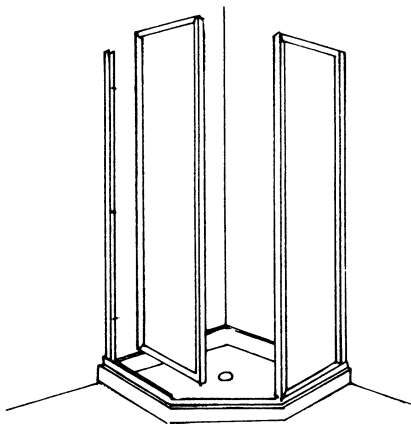
Take one pivot block, insert bolt and loosely attach two nuts as shown. Attach pivot block to bottom frame and into base using #8 x 1 1/2" flat head screws.

4



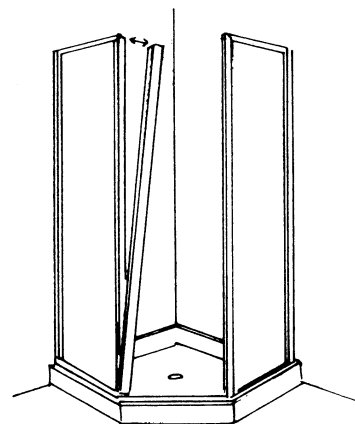
Put the wall jambs on the walls inside the bottom frame with open sides facing out and holes facing inside of shower. Use a level to plumb and mark the holes for drilling. Remove jambs and drill three holes in each side wall using a 3/16" drill bit. Insert a screw anchor in each hole. Replace jambs and secure with 1" screws provided. If drilling into ceramic tile nick surface first with a center punch and then use a masonry drill bit. If drilling into plastic use a 9/64" drill bit and do not use screw anchors.

5



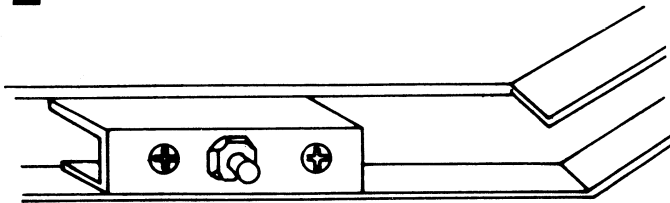
Temporarily mount the side panels in the wall jambs and bottom frames.

6



Put corner post without magnet over panel closest to pivot block. Put magnetic corner post over other panel. Angled points of posts should fit down into angled points of bottom frame.

7



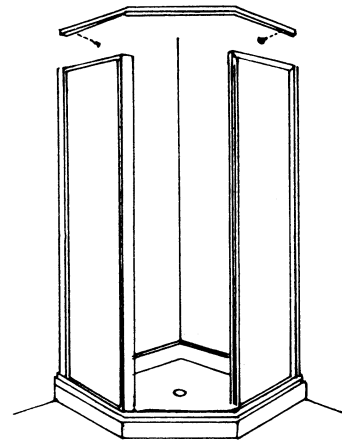
PART #814-P
ACTUAL SIZE



PART #834-F
ACTUAL SIZE

Put bolt and one nut into remaining pivot block as before and attach to top frame with machine screws provided. The two open holes in the top and bottom frames (not covered by the pivot blocks) should be filled with the short screw shown.

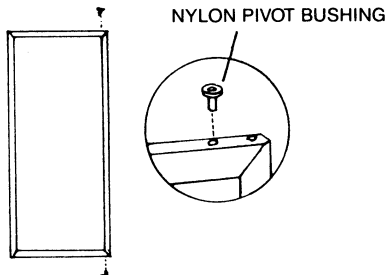
8



PART #838-P
ACTUAL SIZE

Position the top frame over the panels, wall jambs and corner posts. Drill through the holes in the top frame with a 9/64" bit and attach with screws only in the two holes closest to the wall jambs.

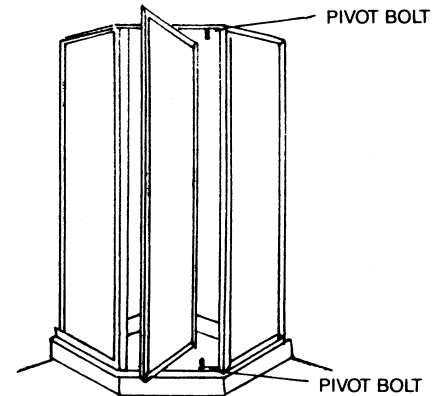
9



NYLON PIVOT BUSHING

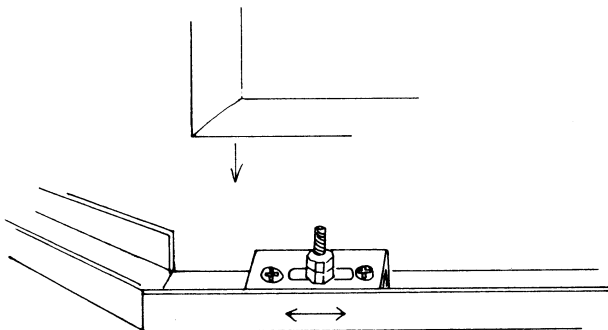
Insert one nylon pivot bushing into the holes on the top and bottom of door.

10



Mount the door on the bottom pivot bolt into the pivot bushing. Align the door with the top pivot bolt and while holding the door in position raise the top frame just enough to get the top pivot bolt to go into the top pivot bushing. Make sure the top frame comes back over both the panel tops and corner posts. Insert screws in two holes in top frame closest to the door panel.

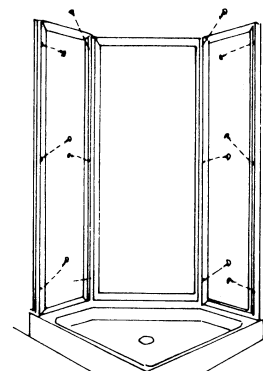
11



Close door against magnet and adjust position of top or bottom pivot bolt within slot if necessary. Tighten the nuts against the pivot blocks using 1/4" wrench provided. With 9/64" bit, drill through all open holes in wall jambs and corner posts after adjustments are made.

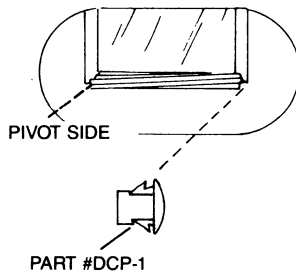
12

PART #838-P
ACTUAL SIZE



Insert remaining screws into corner posts, wall jambs, top and bottom frames. In cases where walls are extremely out-of-plumb it may be necessary to cut off up to 3/8" from ends of top or bottom frame to get door to close properly. Cut bottom frame if top of walls are "spread out" farther than bottoms of walls as indicated by level.

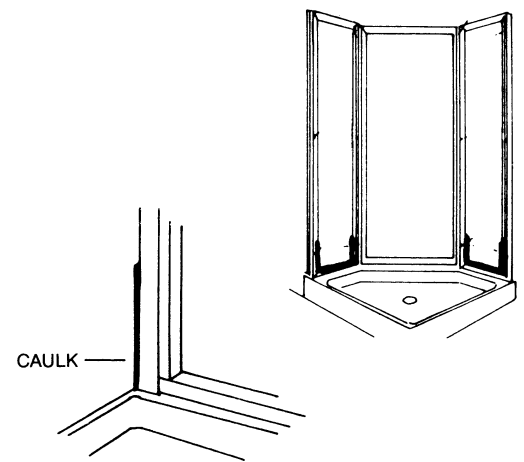
13



Wipe off door bottom frame with clean rag. Cut the vinyl sweep 1" longer than the drip rail and slide it into the groove on the underside of the drip rail. Position the drip rail with tape backing still in place on the inside of the door bottom frame even with the bottom edge and set 3/4" in from the edge with the magnet. The drip rail should be adjusted so that it angles down toward the pivot side and does not hit the bottom frame or corner posts when the door is closed. Mark location and then remove backing from tape and press drip rail in place. Insert plastic plug in drip rail opposite the pivot side to allow the water to drain back into the shower.

Note: Drip rail should not be removed after it has been set in position as the tape may tear.

14



Caulk along the inside of the wall jamb on each side where they meet the walls and along the bottom frame where it meets the base. Caulk seam where the side panels meet the bottom frame and up about 12" where they go into the wall jamb (see drawing).

how to order replacement parts

Always give the following information to distributor nearest to your location:

1. Part Name
2. Part Number
3. Part Description (Length, Size, Color, etc.)
4. Model Number

Key No.	Part Name	Qty.	Part No.
1	Top Frame	1	SQF11
2	Bottom Frame	1	SQF12
3	Wall Jamb	2	EX122
4	Corner Post	1	QF50
5	Magnetic Corner Post	1	QF78
6	Side Panels	2	SP1A
7	Door Panel	1	DP1A
8	Drip Rail	1	2482T
9	Drip Rail Vinyl Sweep	1	PVS 2
10	Drip Rail Plug	1	DCP 1
11	Pivot Blocks	2	PB1

Key No.	Part Name	Qty.	Part No.
12	Pivot Bolts	2	1/4-20 Bolt
13	Nuts	3	1/4-20 Nut
14	Nylon Pivot Bushings	2	B 530
15	Screw Anchors	6	PSA-1
16	Flat Head Screws	2	8112F
17	Pan Head Screws	20	838-P
18	Top Pivot Block Screws	2	834-F
19	Short Filler Screws	4	814-P
20	Wrench	1	
21	Pan Head Screws	6	81-P



Shower-Rite Division
 7519 South Greenwood Avenue
 Chicago, Illinois 60619
 (773) 483-5400 or
 (800) 925-9131
 Fax: (773) 483-5409
 Website: www.showerite.com

HOW TO CARE FOR YOUR ENCLOSURE

Never use scouring powder, pads or sharp instruments on metal or glass panels. An occasional wiping down with mild detergent diluted in water is all that is needed to keep the panels and anodized aluminum parts looking new. The use of squeegee following each shower is recommended to eliminate water spots on the inside of the glass panels.