



# INSTALLATION GUIDE

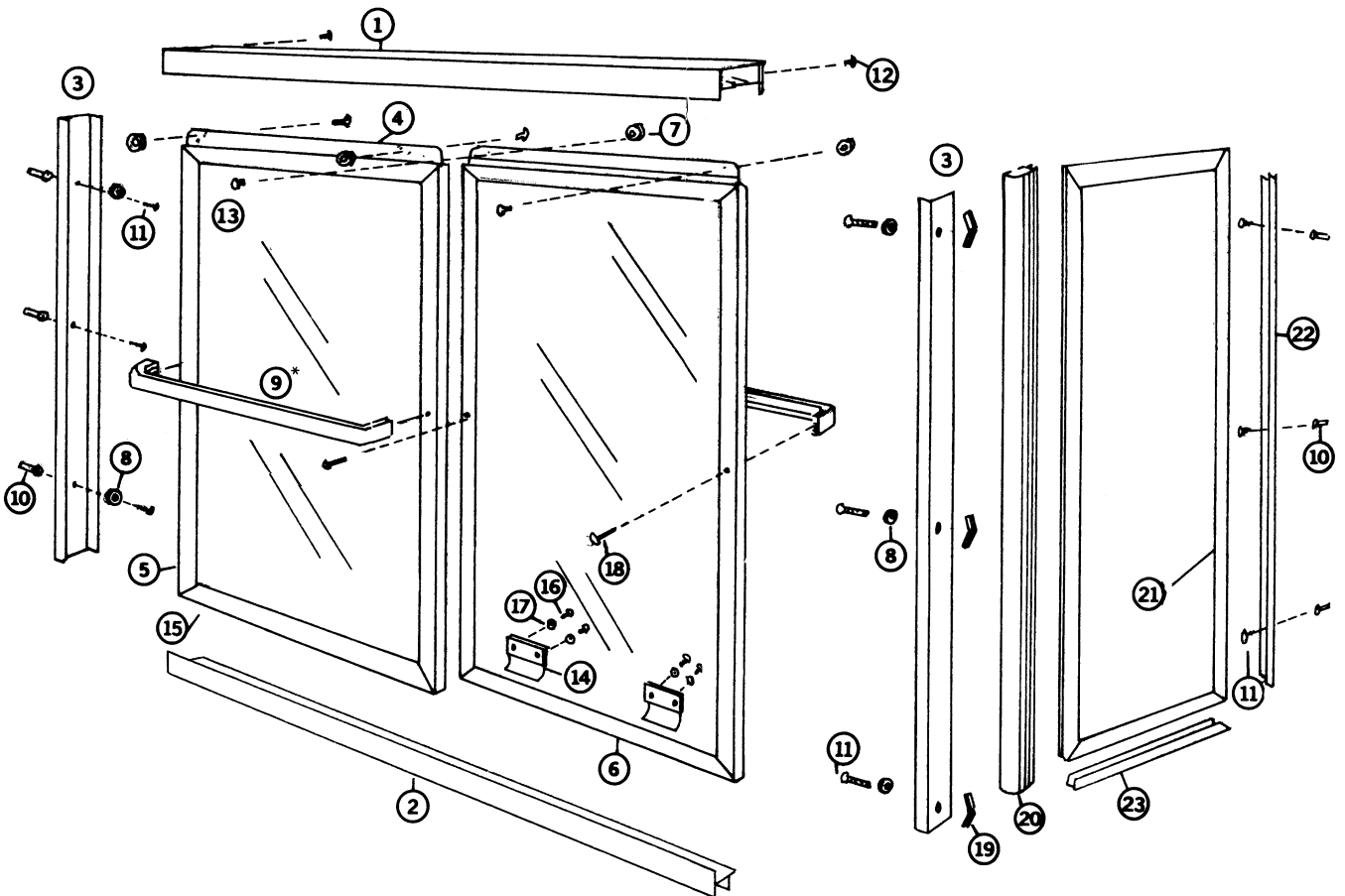
## BY-PASS ENCLOSURE END PANEL

**IMPORTANT:** Record the Model No. \_\_\_\_\_ of your tub or shower enclosure for future reference.

**READ THE INSTRUCTIONS CAREFULLY**, familiarize yourself and check all the parts as shown in the exploded view. The exploded view will also provide a helpful reference when relating the location of the various parts and how they are mounted.

**TOOLS AND MATERIALS NEEDED:**

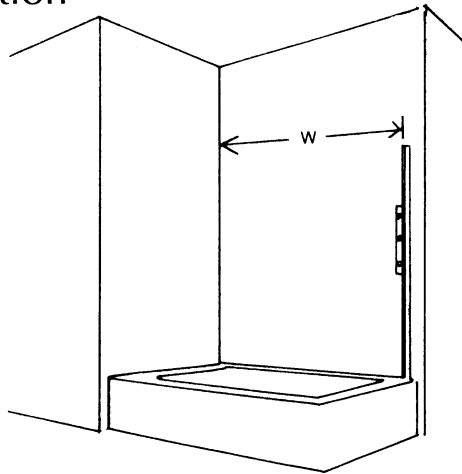
Tape Measure, Electric Drill, Level, Phillips and Flat Screwdrivers, Drill Bits (1/8" & 3/16"), Hacksaw, Silicone Caulk



\*Tryton has glazed-in towel bars which do not require screws.

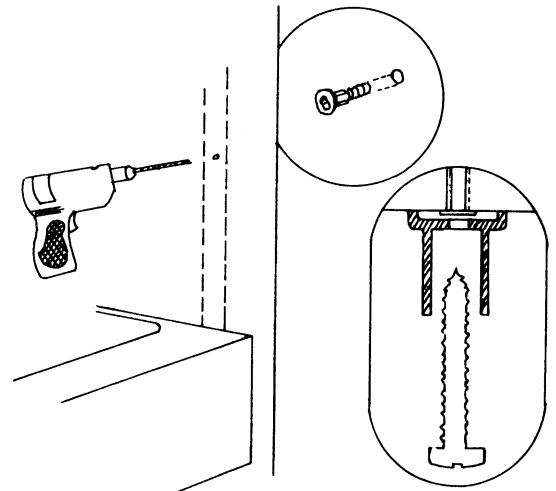
# installation

## 1



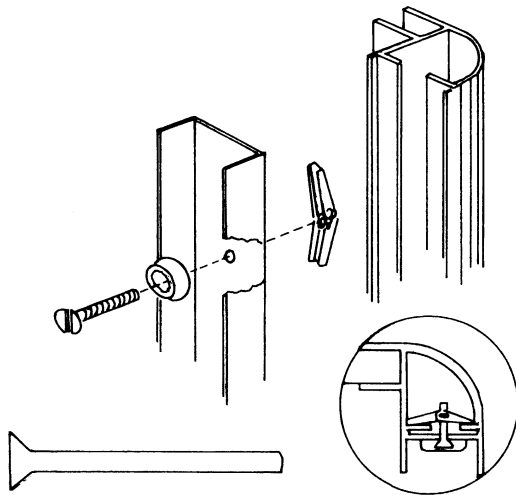
Measure distance W (door opening) shown on dimension sheet to locate center of wall trim. Ensure that the bath is level in both directions. Use a level to plumb the wall trim as shown, and mark the three hole locations.

## 2



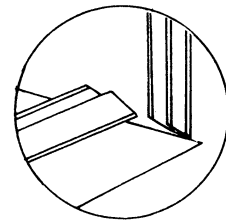
Drill 3/16" diameter holes for screw anchors. Use masonry drill for ceramic tile. Nick the surface glaze with a center punch. After drilling, clean the tub rim. Install and secure with screws shown.

## 3



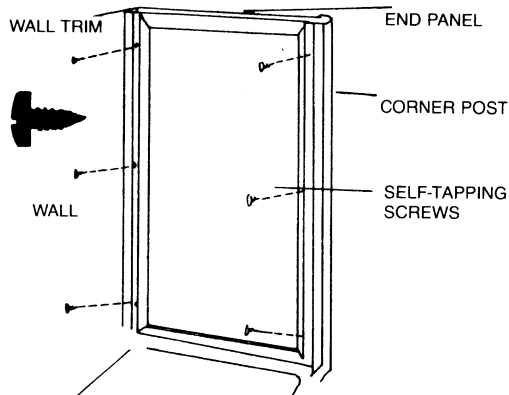
Assemble the corner post and wall jamb as shown, using wall bumpers and wing nuts provided. Position wall jamb 5/8" down from top.

## 4



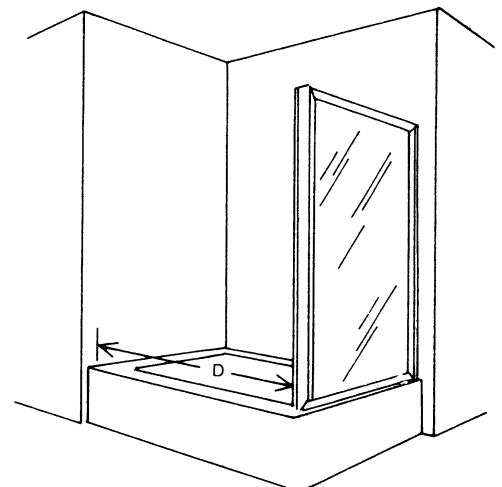
Position end panel in place. Slide corner post #8881T over panel. Adjust panel and post, then measure distance from wall to corner post #8881T. Remove panel and post. Cut bottom trim #5879 to that size. Make sure you cut from straight end. Caulk underside and 45° miter. Set part in place. Secure with #8 x 3/8" panhead screw.

## 5



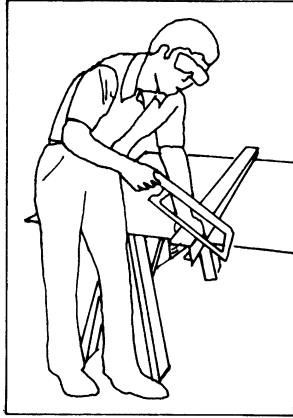
Position panel in place and adjust by using a plastic shim in bottom trim. From inside of shower drill (3) 1/8" holes approx. 2" from top and 2" from bottom and one in center. Stay 3/8" away from glass. Make sure corner post is level. Secure with #8 x 3/8" self-tapping screws.

## 6



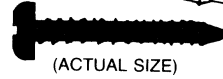
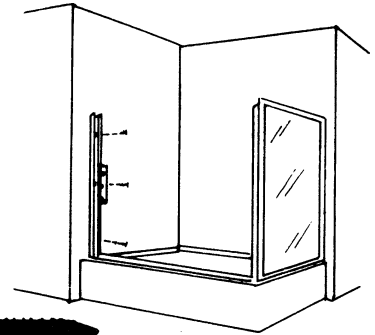
Measure distance D to inside edge of wall jamb. Adjust the height of the jamb on the post as necessary to bring it 1/16" from the tub ledge.

# 7



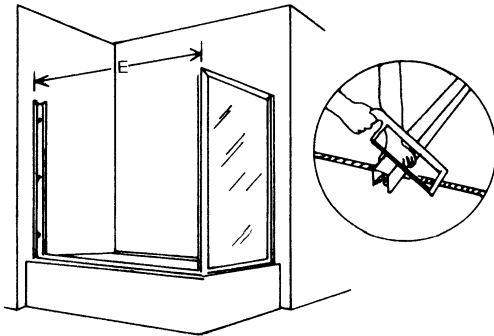
Cut bottom track  $3/16''$  shorter than distance D. Do not cut top track yet. For best results, use a 32-tooth hacksaw blade and a miter box.

# 8



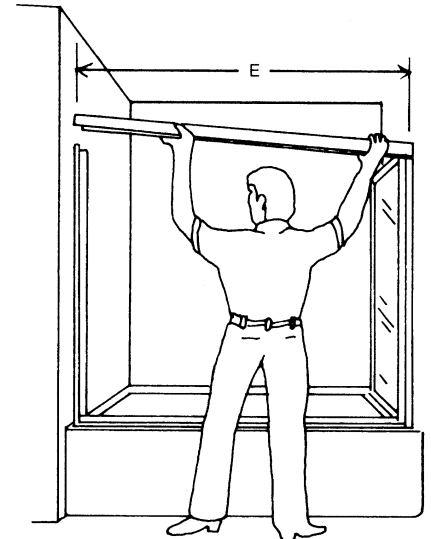
Temporarily place bottom track on the tub ledge. Mark position. Use a level to plumb the wall jamb as shown, mark 3 hole locations, drill and insert screw anchors. Apply adhesive/sealant to the underside of the bottom track and replace in marked location. Secure wall jamb with screws provided. Make sure wall bumpers are installed.

# 9



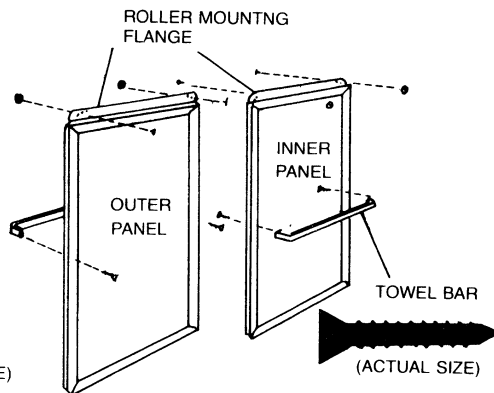
Measure distance E from wall to wall post opening at the top of jambs and cut the top track  $1/16''$  shorter than the actual measurement to allow for clearance. For best results, use a 32-tooth hacksaw blade and a miter box.

# 10



Install top track over each top end of wall jambs. Drill a  $1/8''$  hole through the top track and into the wall jamb from the inside at each end ( $1/4''$  from the wall). Fasten top track to wall jambs with screws provided.

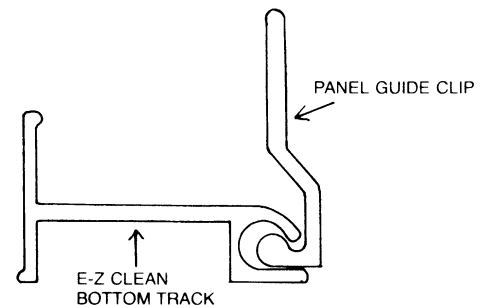
# 11



Install towel bars\* to both doors as shown. Mount nylon rollers to center of slot on top of each door, facing the same way as the towel bars

\*Tryton has glazed in towel bars which do not require installation.

# 12



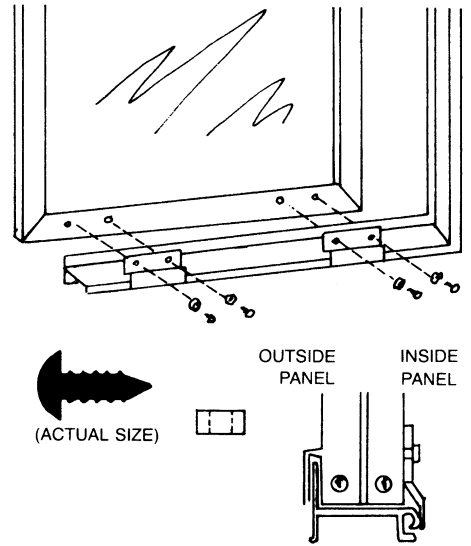
Insert the two panel guide clips into the groove of the E-Z Clean bottom track.

# 13



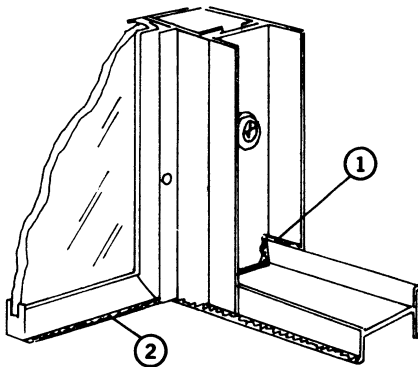
Install door panels by lifting up inside the top track and hanging the rollers on each respective groove. The outside panel with bottom track guide fits over the high edge of the E-Z Clean bottom track. The inside panel has four holes in the bottom for the attachment of the panel guide clips.

# 14



After panels are in place, attach the two panel guide clips to the inside panel with screws provided. Dip ends of screws in soap for easier insertion. Insert screws into plastic grommets before attaching. *Do not overtighten screws. Guide clips should be able to float.*

# 15



1. Caulk the gap at both ends of the bottom track, wall jamb. 2. Caulk along the inside edge of wall jamb bottom track, panel and wall trim.

## HOW TO ORDER REPLACEMENT PARTS

Always give the following information to your Dealer:

1. Part Name
2. Part Number
3. Part Description (Length, Size, Color, etc.)
4. Model Number

## HOW TO CARE FOR YOUR ENCLOSURE

Never use scouring powder, pads or sharp instruments on metal or glass panels. An occasional wiping down with mild detergent diluted in water is all that is needed to keep the panels and anodized aluminum parts looking new. The use of squeegee following each shower is recommended to eliminate water spots on the inside of the glass panels.

Key No.	Part Name	Pacer Part No.	Tryton Part No.
1	TOP TRACK	1390	EX-100
2	E-Z CLEAN BOTTOM TRACK	EX-104-2	EX-104-2
3	WALL JAMB	EX-105	EX-106
4	TOP FRAME	1394	EX-101
5	SIDE FRAME	1393	EX-103
6	BOTTOM FRAME (inside)	1395	EX-102
7	ROLLER	E9004	E9004
8	WALL BUMPER	55	55
9	TOWEL BAR	1398	8498
10	SCREW ANCHOR	PSA-1	PSA-1
11	MTG. SCREW-WALL JAMB	81-P	81-P
12	MTG. SCREW-HEADER	838-PP	838-PP
13	SCREW-ROLLER	832-12	832-12
14	PANEL GUIDE CLIP	PG-1	PG-1
15	BOTTOM FRAME (outside)	1395-0	EX-102-0
16	MTG. SCREW—GUIDE CLIP	812-T	812-T
17	GROMMET	G-1	G-1
18	MTG. SCREW—TOWEL BAR	81-F	81-F
19	WING NUT	3-16	3-16
20	CORNER POST—90°	8881-T	8881-T
21	PANEL FRAME	5493-3	5493-3
22	WALL TRIM	5879	5879
23	BOTTOM TRIM	5879	5879

OM7



### Shower-Rite

7519 South Greenwood Avenue  
 Chicago, Illinois 60619  
 (773) 483-5400 or  
 (800) 925-9131 outside Illinois  
 FAX: (773) 483-5409  
 Website: www.showerite.com

2/99