

Cardinal

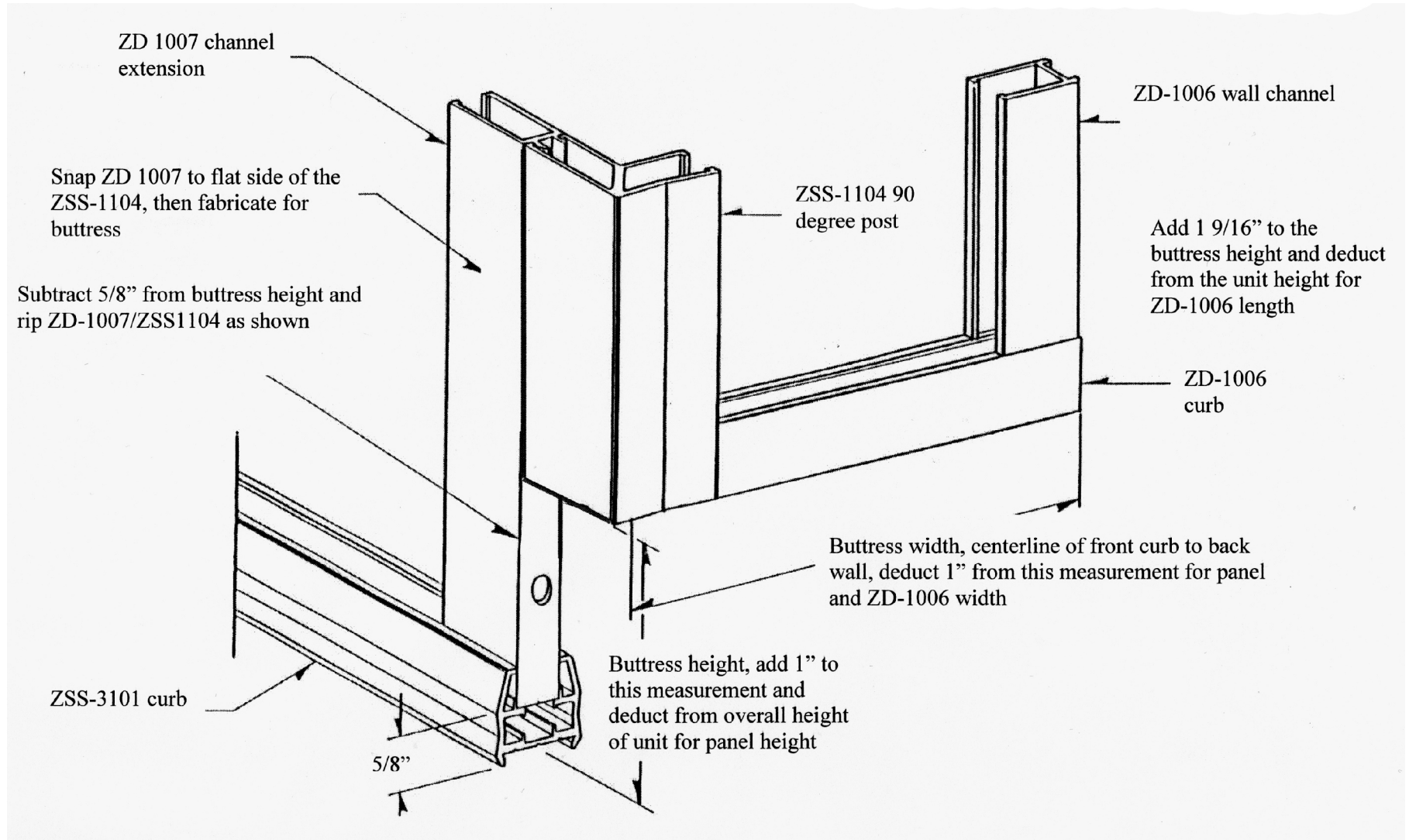
SHOWER ENCLOSURES

Installation Instructions

Model

CD 9036

Buttress
Application



Frameless Enclosures

Model CD 90 36 Stall Shower with buttress - Door & 90 degree Panel on buttress

Breakdown Chart For Special Height and Width CD 90 36 Buttress Units

Qty	Part # & Description	<u>How to arrive at measurement</u>
1	ZSS 3101 Header front	Unit width plus 1 3/8" (to outside edge)
1	ZSS 3101 Header return	Unit width plus 1/2" (to outside edge)
1	ZD 1006 Curb on return	Unit Width Minus 1"
1	ZSS 3101 Curb front	Unit width minus 1/16"
2	ZSS 1102 Filler	Door width minus 1 7/8"
1	ZSS 1104 90 degree post	Unit height minus Buttress height, minus 5/8"
1	ZD 1007 snap in post	Unit height minus 1 1/4"
* 2	<i>ZD 1006 Wall channel</i>	<i>1 - Unit height minus 1 1/4" 1 - Unit height minus buttress height, minus 1 9/16"</i>
* 1	<i>ZD 1004 Latch jamb</i>	<i>Unit minus 2 3/8"</i>
* 1	<i>ZD 2505 Hinge jamb</i>	<i>Unit height 2 3/8"</i>
* 1	<i>ZD 2503 Hinge rail</i>	<i>Unit height 3 1/4"</i>
* 1	<i>ZD 1002 bottom rail</i>	<i>Door width minus 3 7/8"</i>
* 1	<i>ZD 1008 Drip trough</i>	<i>Door width minus 3 3/8"</i>
	<i>(see chart for door glass width)</i>	
		<i>* These parts are from a CD</i>

PANEL GLASS

1	Inline panel	Width	Unit width minus door width, minus 1"
		Height	Unit height minus 1"
1	Buttress Panel	Width	Unit width minus 1"
		Height	Unit height minus buttress height, minus 1"