

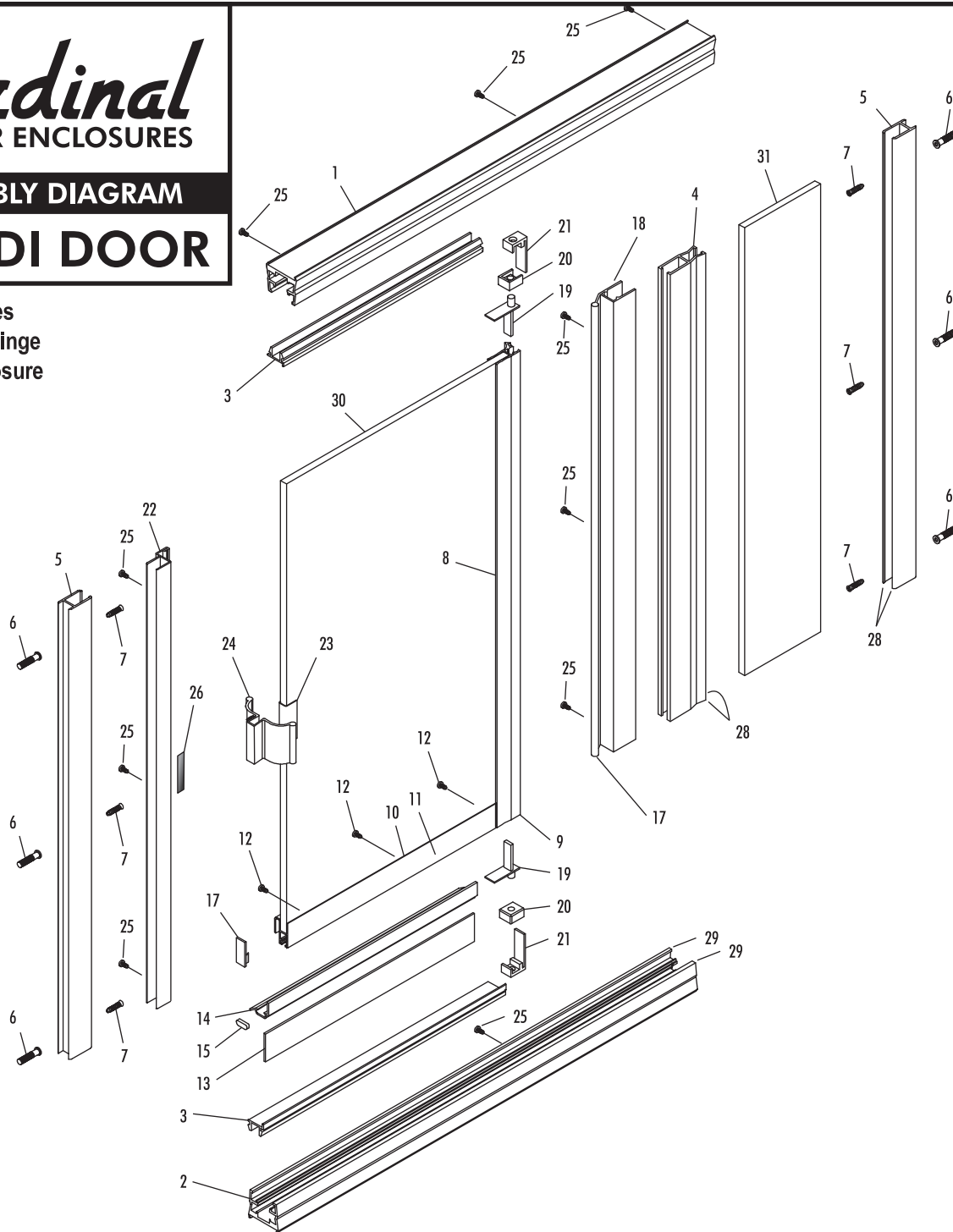
Cardinal

SHOWER ENCLOSURES

ASSEMBLY DIAGRAM

Model **CDI DOOR**

Cardinal Series
Continuous Hinge
Shower Enclosure



DESCRIPTION	QTY	PART #	PICTURE
1. HEADER	1	ZSS-3101	
2. CURB	1	ZSS-3101	
3. HEADER AND CURB FILLER	2	ZSS-1102	
4. INLINE POST	2	ZSS-1103	
5. WALL CHANNELS	2	ZD-1006	
6. WALL ANCHORS	6	ZV-935	
7. #8 x 1-1/4 SCREWS	6	#8 x 1-1/4	
8. GLAZING VINYL	1	ZV-925	
9. HINGE RAIL WITH VINYL	1	ZD-2503	
10. GLAZING VINYL BOTTOM RAIL	1	ZV-903	
11. BOTTOM RAIL	1	ZD-1002	
12. #6 x 1/4 SCREWS	3	#6 x 1/4	
13. SPLASH VINYL	1	ZV-904	
14. DRIP TROUGH	1	ZD-1008	
15. DRIP PLUG	1	ZV-905	
16. BOTTOM RAIL END CAP	1	ZV-940	
17. HINGE JAMB SLEEVE VINYL	1	ZV-955	
18. HINGE JAMB	1	ZD-2505	
19. HINGE PINS	2	ZV-945	
20. HINGE BUSHINGS	2	ZD-1013	
21. HINGE CLIPS	2	ZD-1009	
22. LATCH JAMB WITH V908 VINYL	1	ZD-1004	
23. 3" HANDLE VINYL	1	ZV-91	
24. 3" DOOR PULL	1	ZD-2011	
25. #6 x 3/8" SCREWS	10	#6 x 3/8"	
26. MAGNETIC STRIP CLASP	1		
27. GLASS SUPPORT BLOCKS	1	ZV-902	
28. VERTICAL SEAL VINYL	4	ZV-909	
29. HORIZONTAL SEAL VINYL	4	ZV-906	
30. DOOR GLASS	1		
31. INLINE GLASS PANEL	1		
OPTIONAL MAGNETIC CATCH			
32. 3" MAG DOOR PULL	1	MAG 4011-3	
33. MAG CHANNEL	1		
34. #6 x 1/4 SCREWS	2	#6 x 1/4	