

Cardinal SHOWER ENCLOSURES

Installation Instructions

Model	Buttress Application
-------	----------------------

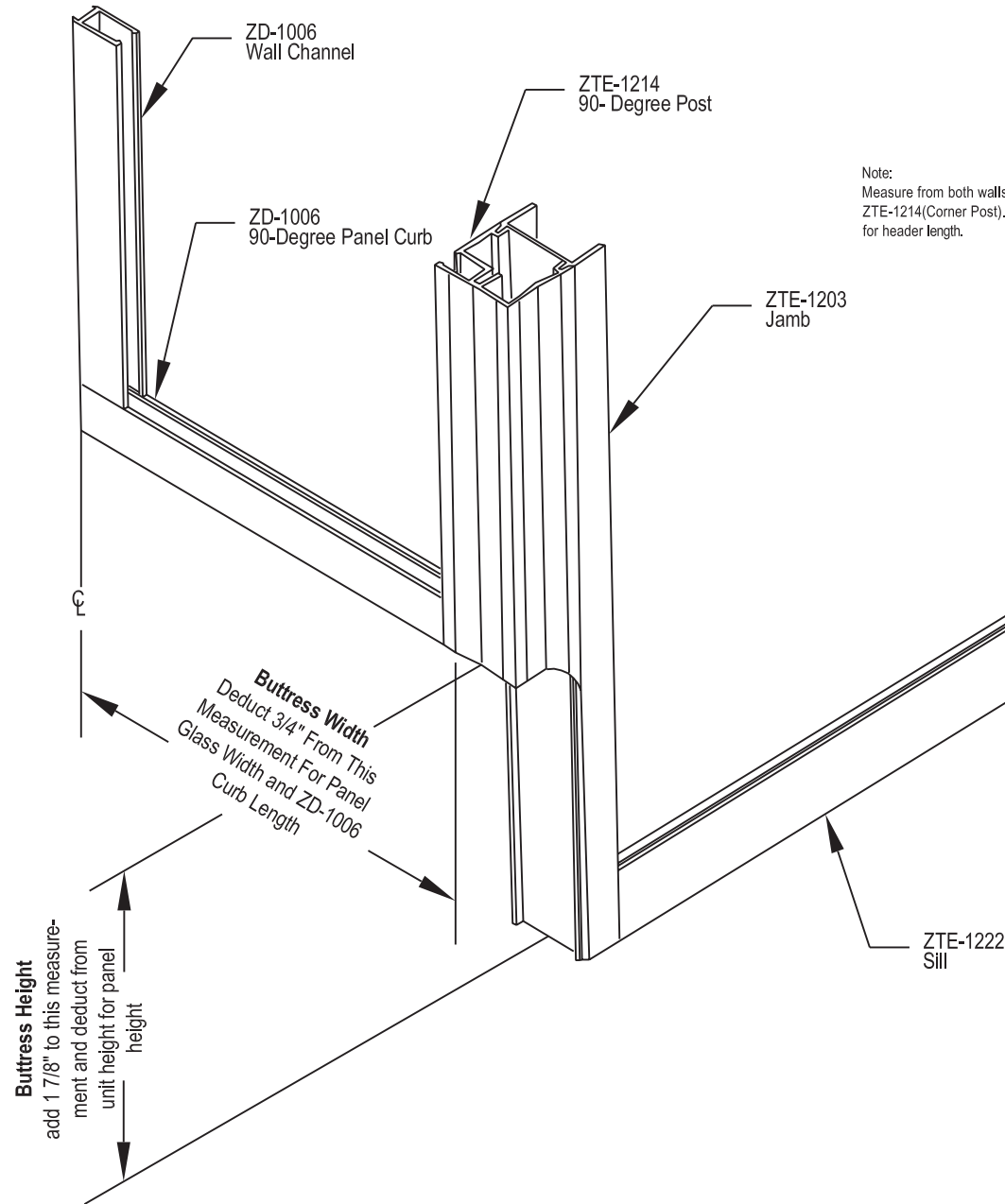
Cardinal Series Frameless Bypass Tub / Shower Enclosure

Buttress Application

TUB/SHOWER ENCLOSURES

- TE or SE 3
- LETE or LESE 3
- TETE or TESE 3
- ETE or ESE 3
- CFTE or CFSE 3

Note:
Measure from both walls to outside edge of ZTE-1214(Corner Post). Add 3/16" to this measurement for header length.



Buttress Application